

Application Note



UTIA Ultrasound EV Board v2.x for 2CG/3CG Platform

Zdeněk Pohl, Lukáš Kohout

Zdenek.pohl@utia.cas.cz, kohoutl@utia.cas.cz

Revision history

Rev.	Date	Author	Description
01	28.03.2025	Z.P., L.K.	Document creation
02	16.06.2025	Z.P., L.K.	Improved trigger button documentation
03	23.06.2025	Z.P., L.K.	Added PCB fix for 1.8V VCCIOC operation
04	15.09.2025	Z.P., L.K.	2CG platform support, added 2xUART
05	16.06.2026	Z.P., L.K.	FPGA HW V2, SW V2

Contents

1 Description	1
2 Board Features	1
3 How to Run	2
3.1 Application <i>capture2.elf</i>	4
3.2 Application <i>capture_echo2.elf</i>	6
3.2.1 Description of <i>capture_echo2.elf</i> Application Parameters.....	6
3.2.2 Capture and View Recording from Individual Microphones	7
4 Capture Data from UDP in PC	8
5 Powering the Board Off	9
6 UARTs	9
6.1 UARTs in Petalinux.....	10
7 License	10
8 Content of the package	10
9 References	11
10 Annex A	12

Acknowledgement

Under grant 101096884, Listen2Future is co-funded by the European Union. Views and opinions expressed are however those of the author(s) only and do not necessarily reflect those of the European Union or Chips Joint Undertaking. Neither the European Union nor the granting authority can be held responsible for them. The project is supported by the CHIPS JU and its members (including top-up funding by Austria, Belgium, Czech Republic, Germany, Netherlands, Norway and Spain).

National Funding

This project has also received national funding from the Ministry of Education, Youth and Sports of the Czech Republic (MEYS) under grant agreement No 9A22004.

1 Description

This application note describes ultrasound enabled microphone array board Ultrasound EV Board v2.x assembled to TE0821-3CG or 2CG Trenz SoM and TE0706-3 carrier board. The EV Board v2.x is the phased array of digital microphones designed specifically by UTIA. It includes FPGA-based hardware interfaces and the software for data capture from microphones, raw data storage and real-time data transmission to a PC via UDP. All the steps described for the 3CG platform in this text is applicable for the 2CG platform, too. The HW platform also provides two user-accessible UARTs.

The hardware platform consists of three basic components, two made by Trenz Electronic:

- TE0821-01-3AE31KA(PA), Ultrascale+ ZU3CG module with 4GB DDR,
- TE0706-3 carrier board, and
- UTIA EV Board in version 2.0, 2.1, 2.2 or 2.3.

The complete device assembled from these three parts can be seen in Figure 1.

The software part consists of 2 components:

- **capture_echo2** application running on hardware shown in Figure 1 that captures RAW data from the microphone array and multicasts them using UDP.
- **Capture2** application capable to record acoustic data to a file.

The document also describes the UDP packet to allow user built its own PC application.

2 Board Features

The UTIA Ultrasound EV Board v2.x implements following features:

- Microphone array consisting of 32 digital microphones IM73D122V01.
- Individual microphone frequency range is 0-80 kHz, where the resonance frequency peak is near 36 kHz.

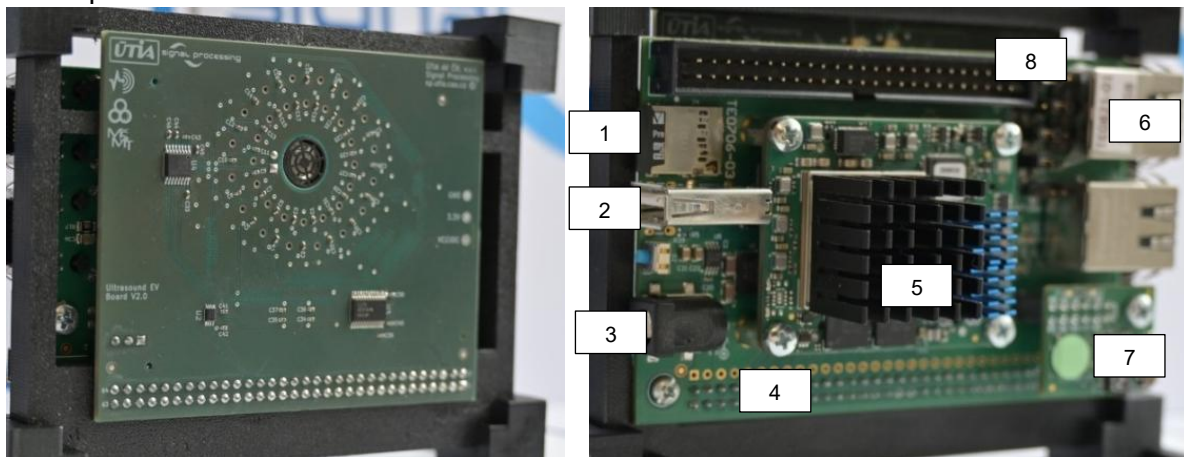


Figure 1: Complete EV Board v2.x assembly. (left) Front side with ultrasound enabled microphone array PCB, version 2.0 is shown. (right) Rear side TE0821-01-3AE31KA SoM on TE0706-3 carrier board.

- 1 – MicroSD card with firmware,
- 2 – USB 2.0,
- 3 – Power plug,
- 4 – TE0706 Carrier board,
- 5 – TE0821 SoM,
- 6 – 1Gbps Ethernet interface,
- 7 – JTAG/UART extension module with mini USB connector,
- 8 – power jumpers

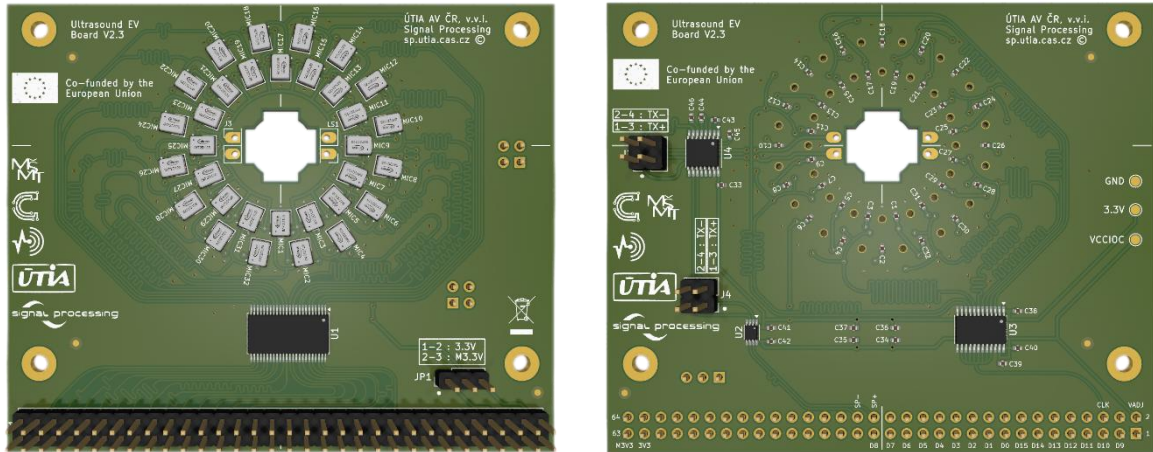


Figure 2: Left - Front side of Ultrasound EV Board v2.3 contains acoustic ports of MEMS microphones. Right - Rear side of the board with IM73D122v01 microphones.

- Distance between microphone acoustic ports is less than 3.8 mm in any direction.
- Single 40 kHz piezo US speaker in the middle with 60deg wide output beam.
- Microphone clock distribution supporting up to 4.8 MHz.
- The board pinout is compatible with the TE0706 carrier, it uses 2 rows of the J6 header (B and C rows).
- Compatible with 3.3V or 1.8V single ended IOs.

Figure 2 shows top and bottom side of the UTIA Ultrasound EV Board in version 2.3 which is fully interchangeable for version 2.0.

3 How to Run

Prerequisites:

1. UTIA Ultrasound EV Board v2.x assembled with TE0706-03 carrier and SoM TE0821 with UltraScale+ ZU3CG family module

IMPORTANT: Configuration of TE0706 power jumpers must be set as follows (see table and Figure 3).

Part	PCB Name	Position
J10	A	2-3 short (M3.3V)
J11	B	1-2 short
J12	C	2-3 short
J13	SD	2-3 short

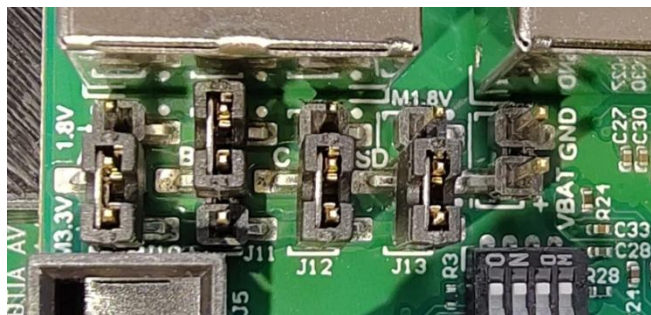


Figure 3: Jumper settings on carrier board TE0706-03, settings is applicable to both 2CG and 3CG modules.

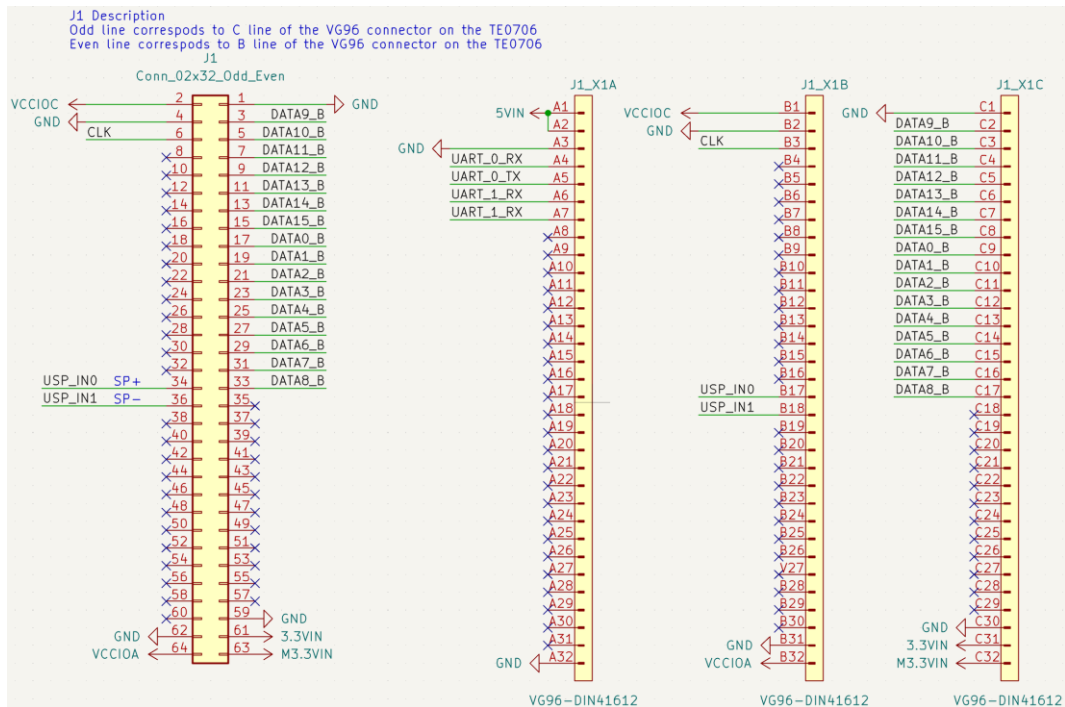


Figure 4: TE0706-03 and US EV board connector alignment.

IMPORTANT: After assembling EV Board to TE0706 carrier the alignment of J6 connector pins must be checked. The J6 connector has three rows of pins whereas US EV board has 2 rows. Use row B and C of the J6 connector on the TE0706-03 carrier board (see Figure 4).

2. 5V power source for TE0706.
3. (optional) Mini USB cable for Virtual UART connection to PC via JTAG/UART module (115200 bd, 8b data, 1b stop, no parity, no flow control).
4. UTP Cable for connection to PC. We recommend using Gigabit Ethernet interfaces for best performance (the board uses UDP multicast to transmit captured data).
5. (optional) Board stand mounted to support assembled boards in correct position.
6. The DHCP server is recommended on local network where the board is connected. Alternatively, *init.sh* script on the SD card can be used to setup Ethernet interface manually. The script is located on the first partition of the SD card that is accessible from Windows. Alternatively, it can be found in the */run/media/mmcblk1p1* folder of the running system.
7. Micro SD card with firmware.

Updating/Writing firmware to Micro SD card:

1. Plug the Micro SD card to PC reader (it may be needed to use SD card adapter), It is recommended to use 16 GB Micro SD card at least and it should be as fast as possible.
2. Unpack the image file *sd_card.img* from the attached ZIP file.
3. Open your favorite image writing application (Win32DiskImager for example) and write *sd_card.img* to the SD card.
4. Disconnect card and remove it from reader.

5. Plug the Micro SD card to TE0706 slot.
6. Power the board on.
7. Connect to the board using one of following options:
 - a. Using serial console:
 - I. Use optional Mini USB cable and connect J4 connector on JTAG/UART module to PC.
 - II. Use serial console application in PC (putty for example) and connect to board using parameters: 115200 bps, 8b data, 1b stop, no parity and no flow control.
 - III. (system uses autologin) in other case log in using following credentials: login: root, password: root. Be aware that you are admin on the board.
 - b. Using SSH connection:
 - I. Find IP address assigned to board by DHCP server.
 - II. Use SSH client on PC to connect to the board.
 - III. Use login: root, password: root
8. On the running system (serial console or SSH), use the following command to extend ext4 filesystem to the remaining free space on the SD card (the ext4 partition is shrunked):

```
resize-part /dev/mmcblk1p2
```

Running the capture on the board:

The *firmware* contains two capture applications:

1. **/home/root/capture2.elf** is a capture application for recording array data to a file for chosen number of seconds.
2. **home/root/capture_echo2.elf** is a capture application capable to generate US pulses and record echoes.

3.1 Application *capture2.elf*

This application is intended to record data from the array for given number of seconds. Optionally, the application also collects webcam frames synchronously with the array data.

```
./capture2.elf -h
Usage: ./capture2.elf [-s time_in_sec -m time_in_msec -e -c cam_index -f fps -g config_file] -
o fname [-v verbosity_level -t]
-v verbosity_level    - set verbosity level: 0 - off, 1 - errors, 2 - debug
-o filename           - output filename without extension
-s NUMBER             - recording time in seconds, integer > 0 (optional, default 1s)
-m NUMBER             - recording time in miliseconds, integer > 0 (optional, default
                      1000 ms)
-c cam_index          - capture frames from webcam, camera index must be specified
-d camera_calibration - specify camera calibration XML file, if provided, frames in video
                      will be undistorted
-f fps                - if capture is on, sets video fps rate (defaults to 1)
-t                    - use external trigger (if not used. capture starts immediately)
-g cfg_file           - use provided configuration file (if not specified, evboard_ffbf.cfg
                      file is used)
-h                    - this Help
```

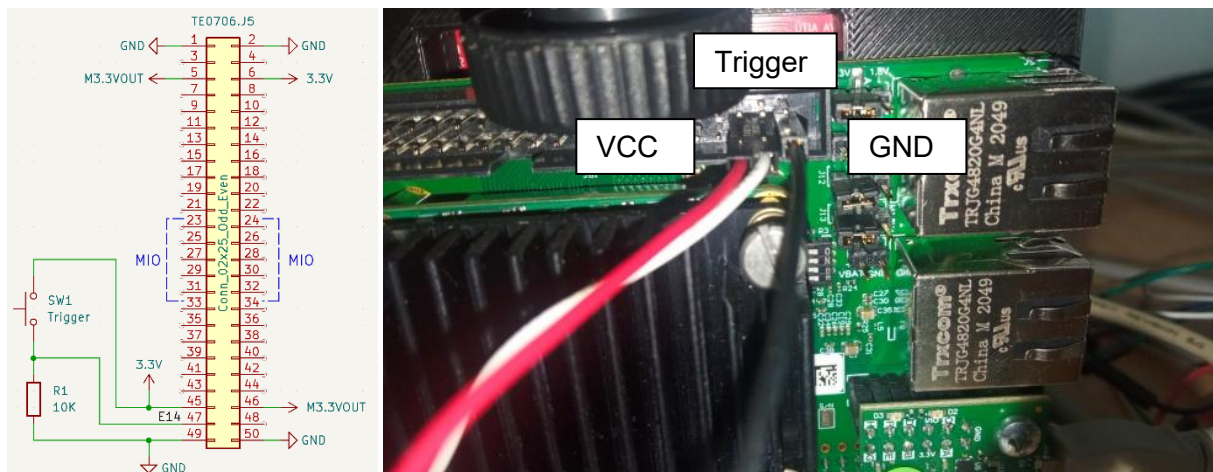


Figure 5: Example external trigger circuit.

Usage examples:

Record 1 second of array data to file *test.raw*:

```
./capture2.elf -o test
```

Record 3 seconds of array data to file *test.raw*:

```
./capture2.elf -s 3 -o test
```

Record 3 seconds of array data with video to files *test_01.raw*, *test_01.avi* and first frame to *test_01.jpg*:

```
./capture2.elf -s 3 -o test_01 -c 0 -f 10
```

Triggering data capture by external signal:

```
./capture2.elf -s 3 -o test_02 -t
```

In this case of usage, capture process is initiated and stalls at the beginning until external trigger signal goes high. To use an external button as a trigger, see Figure 5.

Known Problems	
Description of problem	Solution/Workaround
Video encoder fails to write video, error in function 'icvExtractPattern'	Output filename for video must contain '_' character inside. If not, the gstreamer uses wrong video encoder which is trying to operate on numbered images
USB driver fails to connect or communicate with webcam, suggesting 'EMI?' as a cause, consequently it fails to recover by power cycling. After that the USB port with camera remains disabled	To recover, the board must be power cycled (reset is not sufficient) To avoid this behavior, try to change power source adapter which may cause EMI to USB on TE0706 when its output is noisy
IMPORTANT: PCB wiring of all Ultrasound EV boards up to v2.2 is incorrect for I/O level converters U2 (speaker out) and U3 (clock out)	a) Use LVCMOS33 I/O standard on FPGA side and set VCCIOC to 3.3V. b) For LVCMOS18 I/O and VCCIOC 1.8V, a hardware hack on PCB described in Annex A is required.
...	

```
root@trenz:~# ./capture_echo2.elf
Parameters:
    multicast group: 239.0.0.1
    multicast port: 6001
    multicasted data: <raw microphone data>
        CPS: 20
        mic mask: 0xFFFFFFFF
    CIC decimation factor: 25
        PDM length: 50000
        PCM length: 2000
    Chirp frequency: 40000 Hz
    Periods before chirp: 150 periods
    Chirp position: < 720, 753 > PCM Sample
    Chirp length: 7 periods
    Braking periods: 0 periods
    Chirp count: infinite
    BF Init steering angle: -50.000000 Deg
    BF # of directions: 50
        Algorithm: DAS CF
    RMS envelope win: 10
    RMS envelope sub factor: 10
        fgbg: 1
        averaging: 0.001000
    max search minimal distance: 230
        Y0: 42002.000000
        V0: -0.003026
    ethernet packet size: 200040
    calibration: off

Starting ...
Captured: 20 chirps, 4200000 bytes, 0 dlosts
Captured: 40 chirps, 8200000 bytes, 0 dlosts
Captured: 60 chirps, 12200000 bytes, 0 dlosts
```

Figure 6: capture_echo2.elf application terminal output.

3.2 Application capture_echo2.elf

This application is primarily intended to generate US pulses using its EV Board US speaker and then capture echoes of objects in front of the device. After that, the data are sent via UDP multicast group. The capturing and pulse generation are started always at the same moment. To ensure regular output pulses the hardware timer is used to trigger measurements in fixed time intervals. When the application starts, it reads its configuration from the configuration file first, and then it starts to capture and send the data.

When the application starts:

- The actual parameters of capture process are shown in terminal (Figure 6).
- While the application is running it updates actual number of data recordings (chirps). The application is capable to generate US pulses and record echoes. It is also possible to use it just for recording by setting the chirp length to 0.
- By using '-g' command line option, the configuration file name can be specified.
- From the terminal, the application can be terminated by pressing Ctrl-C.

3.2.1 Description of capture_echo2.elf Application Parameters

This section explains parameters which can modify behavior of the *capture_echo2.elf* application. Please note, that there were also other options used in past and no longer active at this moment. Currently supported options (Figure 7)

Active Option	Default Value	Description
Multicast group	239.0.0.1	Multicast address where the captured data will be sent
Multicast port	6001	Multicast port
CPS request	50	How many recordings per second will be performed (see image)
MIC array mask	0xffffffff	Microphones active in capture process: bit0 - mic0, bit1 - mic1, etc.
PCM length	2000	Length of PCM samples to be recorded, PCM sampling @ 192kHz, PDM sampling @ 25*PCM
Chirp Frequency	40000	Frequency of generated pulse
Lead to start	40	Number of periods before pulse will be generated
Chirp length in periods	2	Number of chirp periods
Chirp braking periods	1	Number of reverse phase periods after each chirp to brake membrane
Chirp count	0	0 - run indefinitely, any other positive - finite number of recordings/pulses to generate/capture. Last recording is always stored to file <i>mic.raw</i> for debug purposes
Calibration mode	0	0 - calibration off, must be set to 0

3.2.2 Capture and View Recording from Individual Microphones

- Set parameters in *evboard_ffbf.cfg* to:
 - Chirp count = 1
 - PCM Length = required number of PCM samples at 192kHz (for example 192000 as 1 sec)
 - Chirp length in periods = 0 # no wave out generated
- Run the application on the board:

```
cd /home/root/
./capture_echo2.elf -g evboard_ffbf.cfg
```

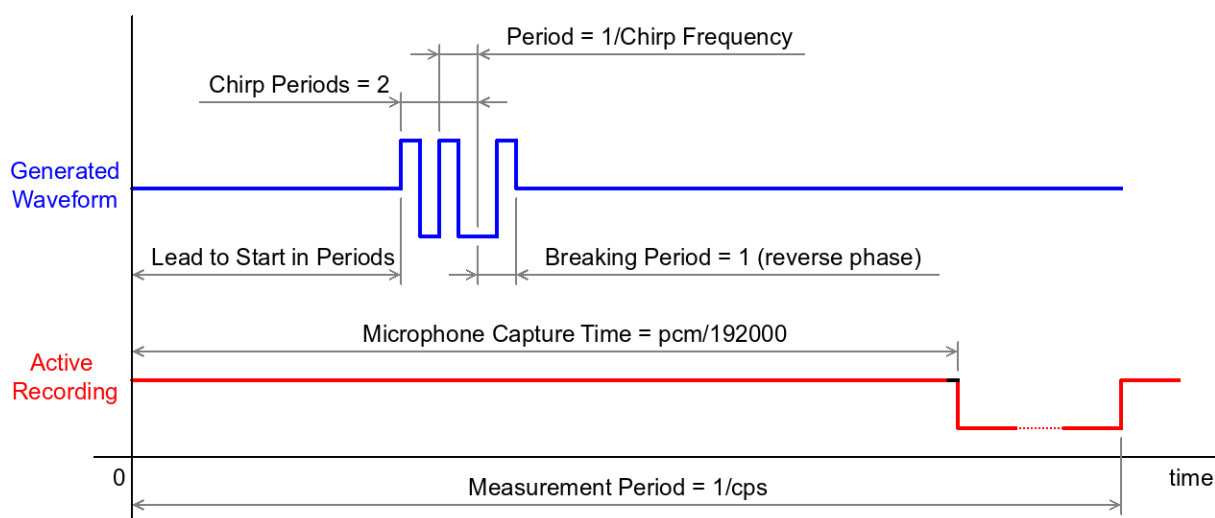


Figure 7: Periodic waveform generator and synchronous periodic recording. Waveform is parametrized by values in configuration file.

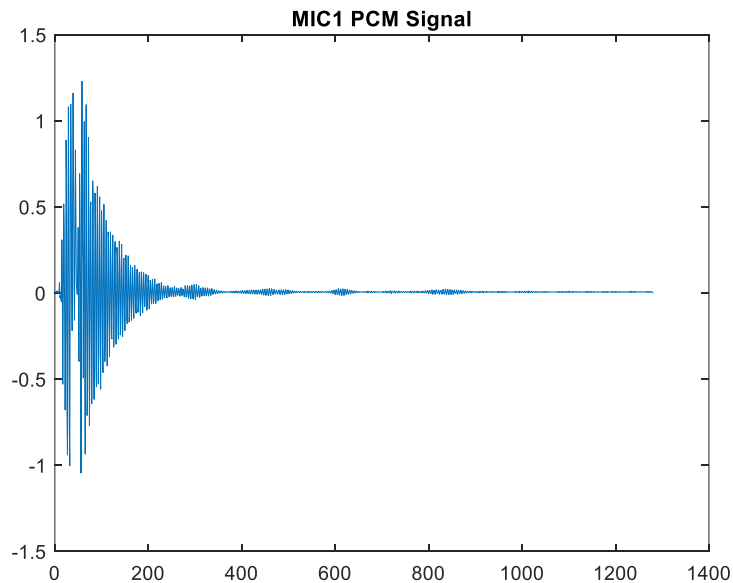


Figure 8: Example of MIC1 recording.

3. Connect to the board using SFTP from PC and copy file:

```
/home/root/mic.raw
```

to folder *samples* in your PC

4. Open Matlab in the *matlab* folder and run command (result can be seen in Figure 8):

```
show_me_mic_raw.m
```

4 Capture Data from UDP in PC

To capture UDP data the user has to receive UDP packets from multicast and complete data from fragments. As it can be seen in Figure 7, the board generates US pulse and records echoes at the same time. The captured data from the array are then sent as UDP packets to multicast group. If the data size plus header is bigger than 1400 bytes, one packet is sent for each captured echo. Otherwise, the application will send fragments of the captured data each extended by a header. Total data size is reported by *capture_echo2.elf* application after start in field *ethernet_packet_size* that is a size of one echo measurement data plus header size. The fragmentation is implemented as follows:

- Each fragment, except the last one, has size of 1400 bytes, including header size. The size of the last one is given as a size of remaining data in bytes plus size of packet header.
- Packet header structure is added at the beginning of each data fragment:

```
typedef struct packet_header{
    unsigned group_id; // value is incremented when new measurement is sent (i.e. all
                      // fragments of one echo measurement have the same value here)
    unsigned packet_data_id; // type of data, in this case equals 2
    unsigned height;
    unsigned width;
    float u0; //unused float value
    unsigned fps; // number of echo measurements per second which app uses
    unsigned ul; // unused
    unsigned offset; // offset of this data fragment in bytes
    unsigned u2; // unused
    unsigned chirp_delay; // delay of chirp (pulse) after start in PCM samples
} packet_header_t;
```

- Data can be received as follows:
 - Read packet from multicast
 - For each new **group_id** allocate memory for data of size **height*width (in bytes)**
 - Place data from packet to correct **offset** into memory allocated for its **group_id**
 - Data are completed if memory allocated to **group_id** is completely filled.

NOTE: The data reception algorithm must be robust at least to lost packets and also to the possibility that packets may arrive out of order.

5 Powering the Board Off

IMPORTANT: The board uses ext4 filesystem on second SD card partition. For that reason it cannot be turned off anytime. *poweroff* or *halt* command must be used. After the command successfully finishes, the power can be unplugged.

6 UARTs

The HW platform provides two user-accessible UARTs at 3.3V logic level. They are available on the J6-line_A connector of the TE0706 carrier board. See table below, Figure 9 and Figure 4.

J6-lineA pin	Description
1	+5V
2	+5V
3	GND
4	UART 0 RX
5	UART 0 TX
6	UART 1 RX
7	UART 1 TX

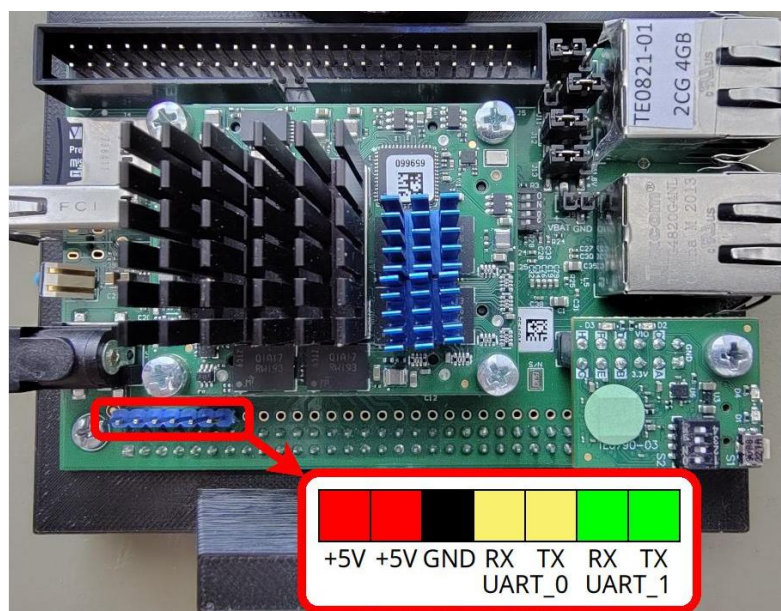


Figure 9: User UARTs connector on the TE0706 carrier board.

6.1 UARTs in Petalinux

The UARTs are automatically visible in the Petalinux OS in folder `/dev`. To check the device availability execute from the Petalinux command line:

```
ls /dev | grep ttyU
```

You should get a list containing two UART devices:

```
ttyUL1
ttyUL2
```

Both UART IP cores in the FPGA logic are permanently set to 115200 bd, 8b data, 1b stop, no parity and no flow control but the UART driver is set differently. To set it correctly, it can be used `stty` tool in the Petalinux:

```
stty -F /dev/ttyUL1 115200 cs8 -cstopb -parenb
stty -F /dev/ttyUL2 115200 cs8 -cstopb -parenb
```

The current firmware has this already set using the `init.sh` script.

Simple test:

1. Connect a loop between RX and TX of one of the UARTs (e.g. UART_0 - `/dev/ttyUL1`).
2. Run testing Python script `loop_test.py`:

```
cd /home/root
python3 loop_test.py
```

result:

```
Connected to: /dev/ttyUL1 115200 8 N 1
TX: b'Loop test\n'
RX: b'Loop test\n'
```

7 License

The package is provided by UTIA AV CR as is, free of charge.

8 Content of the package

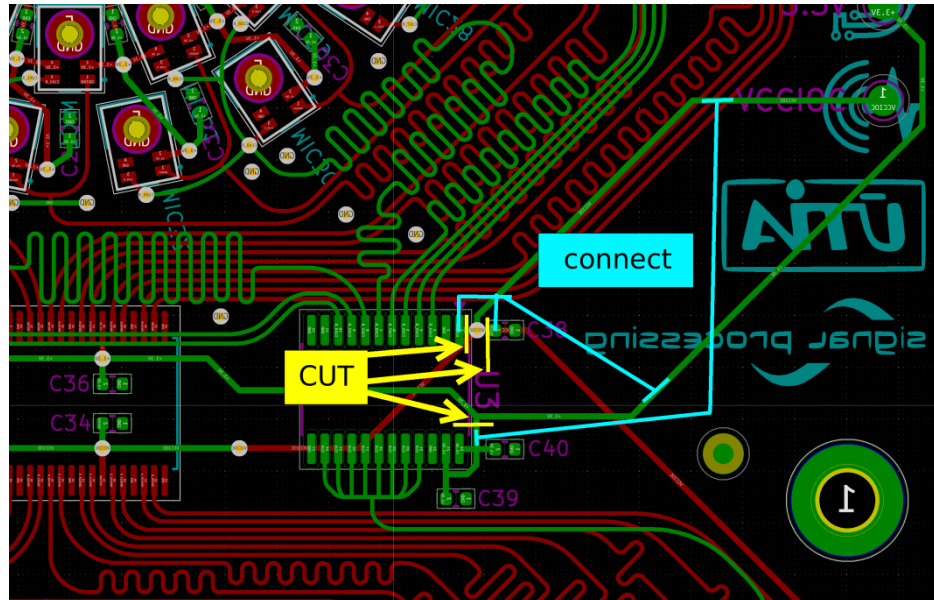
<pre>UTIA_Ultrasound_EV_Board_v2_x_rev05_Xcg_XX-XXXXXXX.zip ├── firmware │ └── sd_card.img ├── samples │ ├── array_02_echo │ │ ├── array_data.raw │ │ ├── array_video.avi │ │ └── evboard_ffbf.cfg │ ├── array_02_lab │ │ └── ca_lab_40kHz_intermittent.raw │ ├── array_02_outside │ │ ├── ca_outside_5m_40kHz_test_01.jpg │ │ └── ca_outside_5m_40kHz_test_01.raw │ ├── mic.raw │ ├── plotArray3D.m │ ├── readMicCoordinates.m │ ├── read_raw_data_b.m │ ├── show_me_array_02_echo.m │ ├── show_me_array_02_lab.m │ ├── show_me_array_02_outside.m │ ├── show_me_mic_raw.m │ └── utia_ev_board_v2_x.csv └── UTIA_Ultrasound_EV_Board_v2_x_revXX.pdf</pre>	<p>Archive name</p> <p>firmware for UTIA Ultrasound EV Board v2.x folder with data samples echo recordings example</p> <p>continuous recording of intermittent 40kHz signal</p> <p>continuous recording of 40kHz signal, free field</p> <p>test data from echo recording</p> <p>scripts to show the captured samples scripts to show the captured samples scripts to show the captured samples scripts to show the captured samples microphone coordinates file this document</p>
--	---

9 References

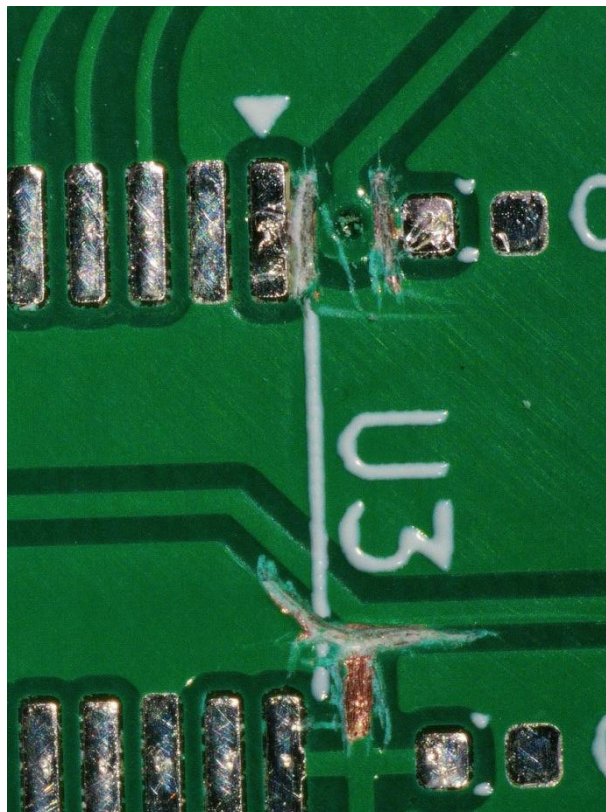
[1] Listen2Future project web pages: <https://www.listen2future.eu/home>

10 Annex A

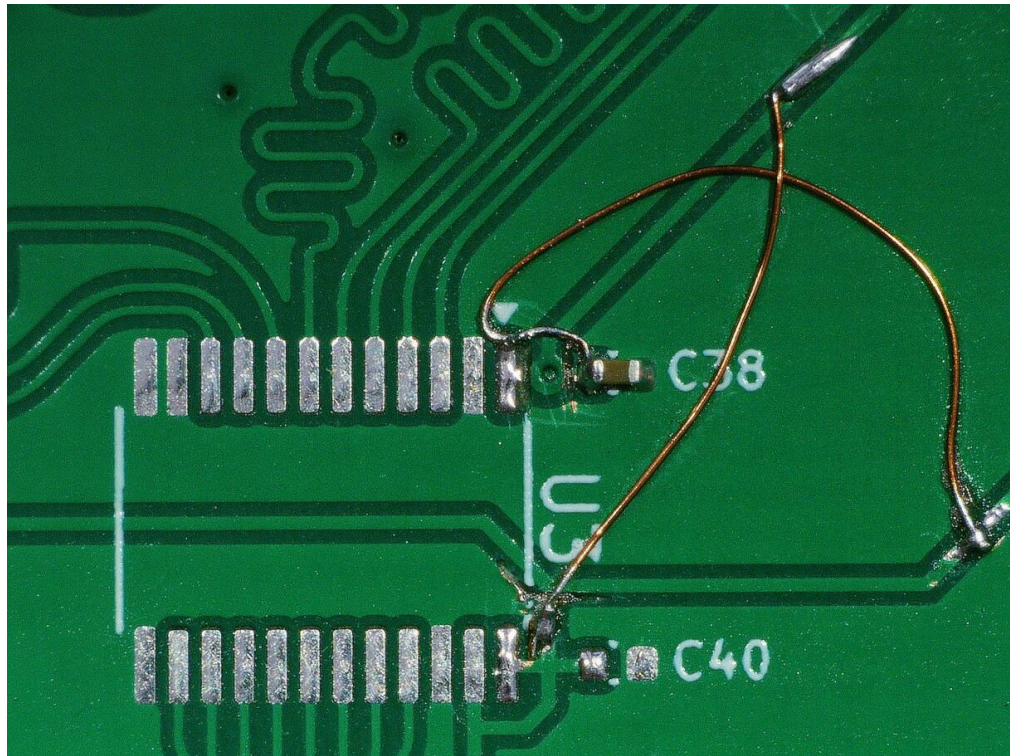
1. Fix U3 wiring (clock distribution to microphones), we do recommend to remove U3 before modification
 - a. Locate PCB wiring next to U3



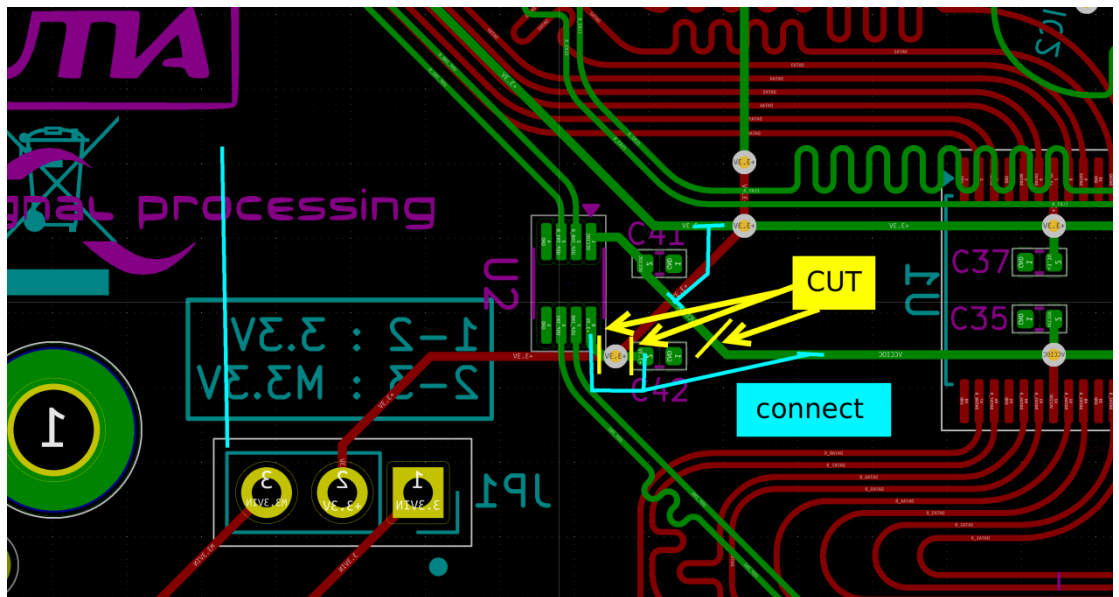
- b. Cut copper lines at suggested places



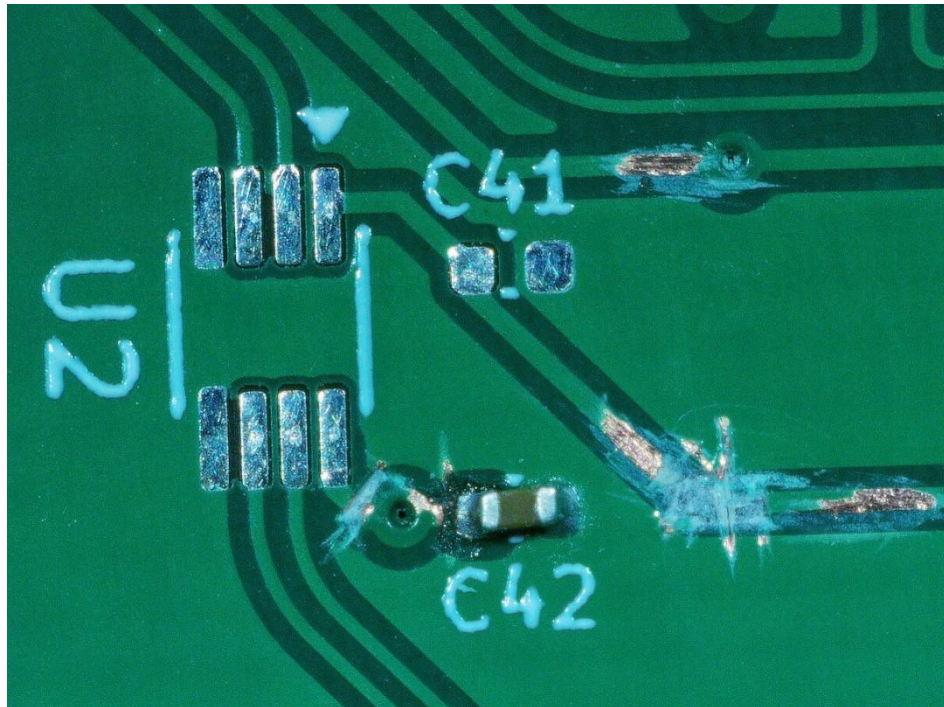
- c. Solder U3 back to its place if it was removed before cutting.
- d. Solder new connections using thin insulated copper wires.



- e. Locate PCB wiring next to U2



- f. Cut wires at suggested places



- g. Solder U2 back to its place if it was removed before cutting.
- h. Solder new connections using thin insulated copper wires.

