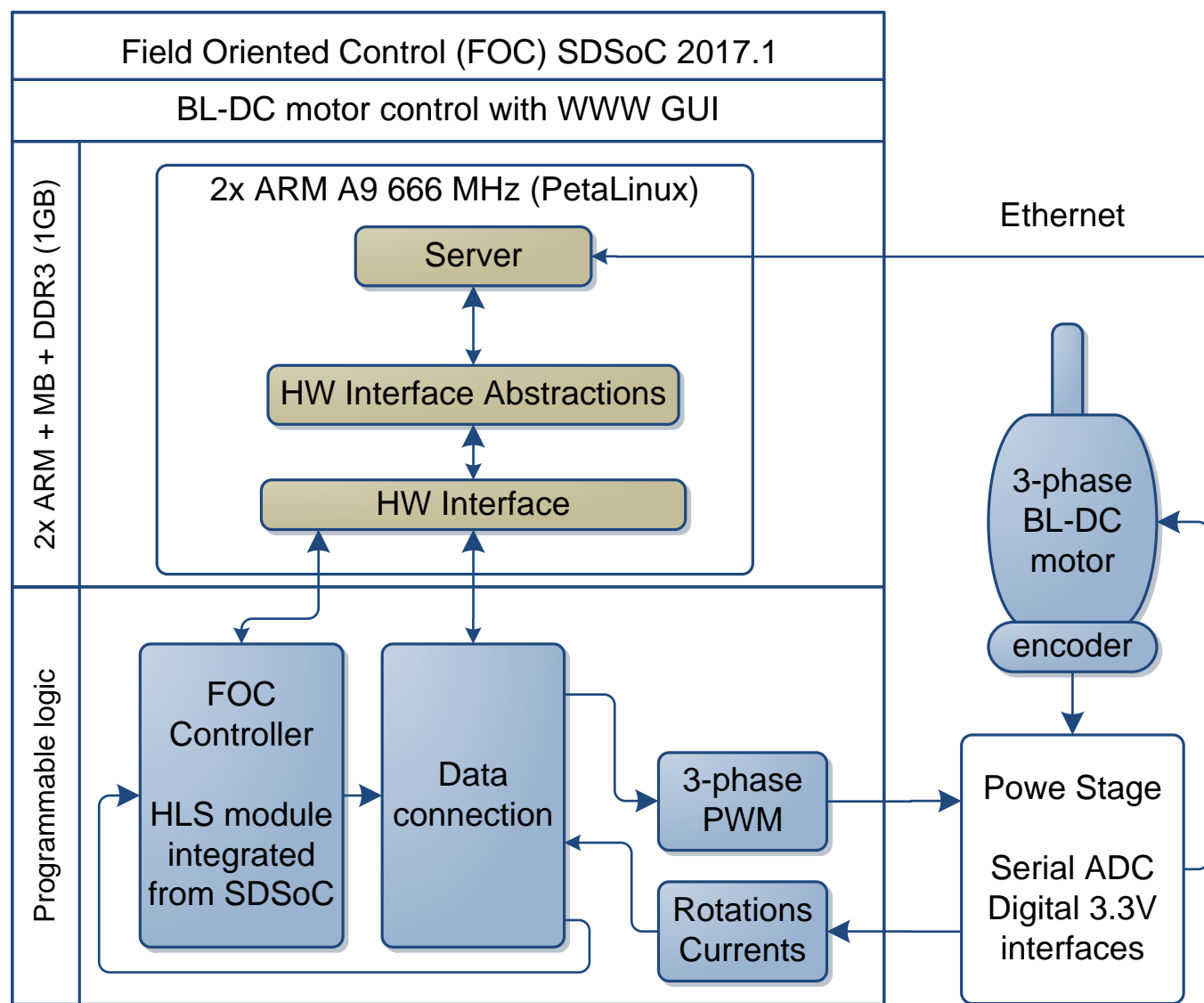


# Field Oriented Control (FOC) of BL-DC motor designed in Xilinx SDSoC 2017.1 for Trenz Electronic TE0720-03-2IF module on TE0706-02 carrier with TEC0053-04 power module



TE0720-03-2IF on TE0706-02

TEC0053-04

